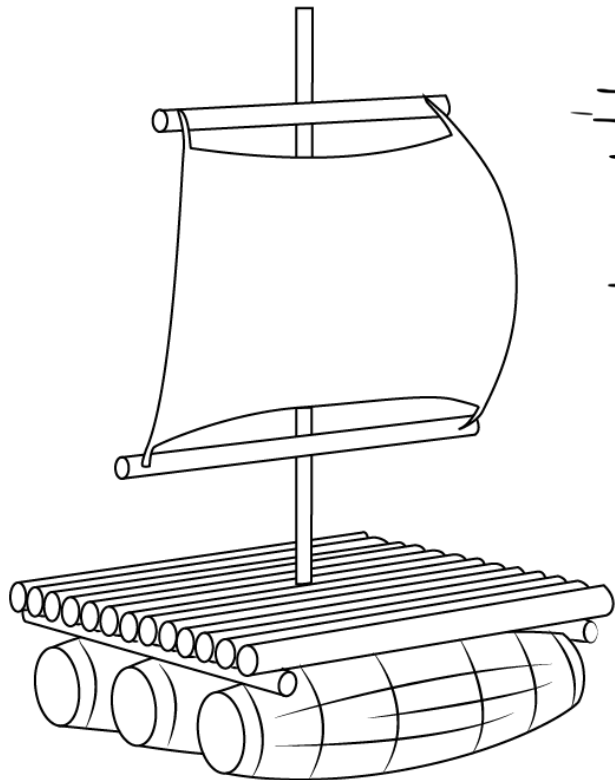


Friday 12th February 2021

Art

Hi everyone,

Today I would like you to design a vessel for Michael so he can escape the island. Here are some ideas below to help you. Please sketch your idea on the spare piece of paper provided.



Please colour and label your drawing with what you would use to make it.



Stick Raft Building STEM Project

