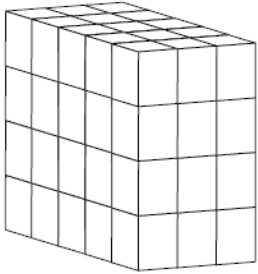
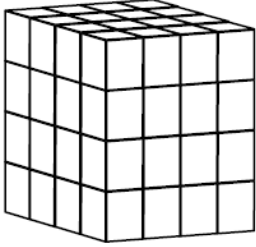
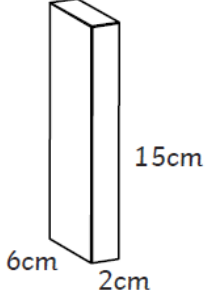
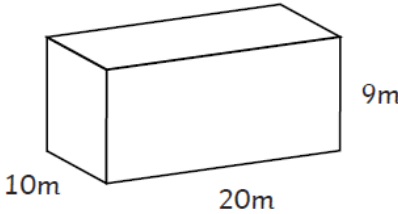


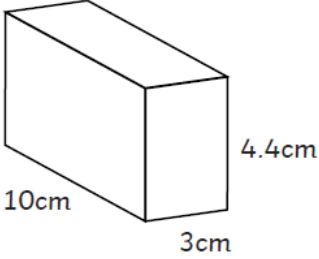
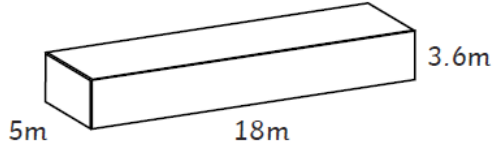
Wednesday 3rd February 2021

Red Group

1. Calculate the volume of these shapes.

<p>a)</p>  <p>Each small cube is a cubic centimetre.</p> <p>volume = <input type="text"/></p>	<p>b)</p>  <p>Each small cube is a cubic metre.</p> <p>volume = <input type="text"/></p>
--	--

<p>c)</p>  <p>15cm</p> <p>6cm 2cm</p> <p>volume = <input type="text"/></p>	<p>d)</p>  <p>10m 20m 9m</p> <p>volume = <input type="text"/></p>
--	--

<p>e)</p>  <p>10cm 4.4cm 3cm</p> <p>volume = <input type="text"/></p>	<p>f)</p>  <p>5m 18m 3.6m</p> <p>volume = <input type="text"/></p>
--	--